

Rotating Crane Hooks

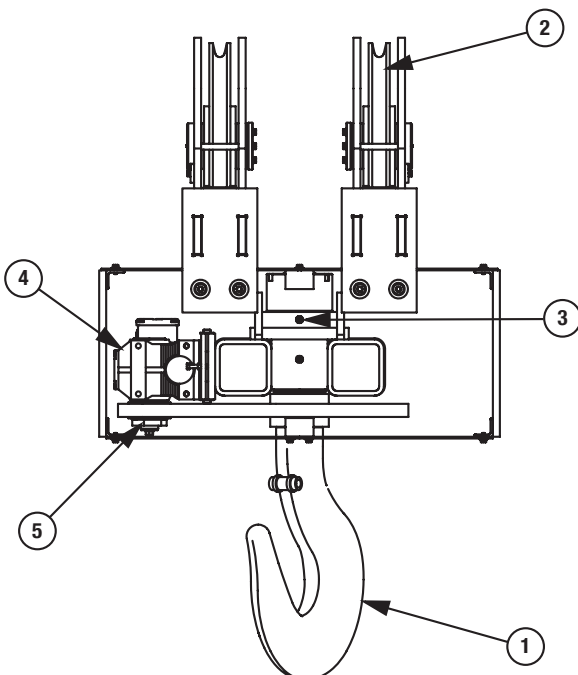
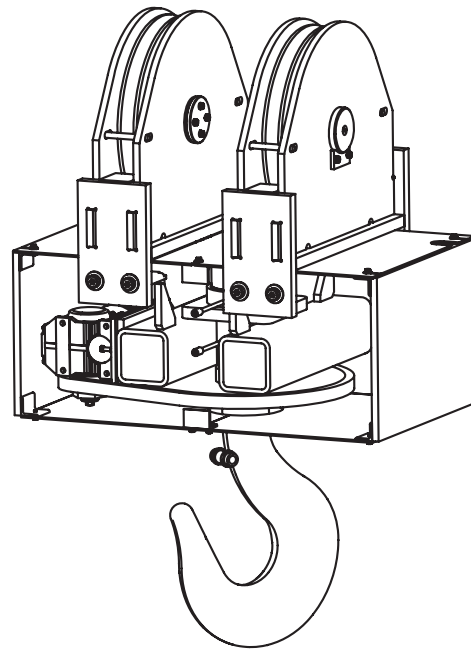
Model 50 – Motorized Rotating Crane Hook



Shown with optional load scale.

PRODUCT FEATURES:

- Custom designed to fit your applications.
- Allows for independent and precise position of load.
- Full 360° rotation @ 1-1/2 RPM.
- Controls feature soft-starting capability.
- Designed to operate on either direct or alternating power supply.

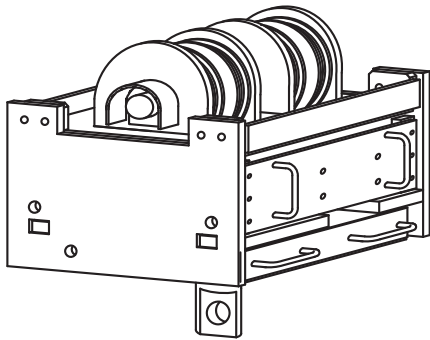


STANDARD DESIGN FEATURES:

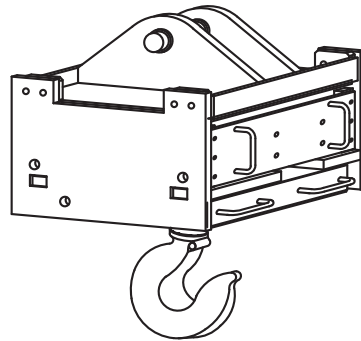
1. Heat treated forged steel hook with latch.
2. Steel sheaves with hardened rope grooves and tapered roller bearings.
3. High capacity thrust bearing.
4. Heavy duty helical-worm gear motor.
5. Chain and sprocket final drive.
6. Easy access for maintenance.
7. Controls include starter with overload, VFD (variable frequency drive) NEMA - 12 enclosure and pigtail.

Rotating Crane Hooks

Clevis Style



Pin Bail



Application Evaluation

1. CMAA Crane Duty Class: _____
2. Capacity of crane: _____
3. Number of sheaves: _____
4. Sheave diameter: _____
5. Sheave spacing (A): _____ (X): _____
6. Type of sheave bearings: _____
7. Wire rope diameter: _____
8. Maximum degree of rotation required: _____
9. Will a motorized grab be suspended from the hook?
 Yes No

10. Operating voltage: _____
11. Describe load to be rotated:
 - a. Weight _____
 - b. Length _____
 - c. Width _____
 - d. Height _____
 - e. Shape _____

12. Will hook be outdoors?
 Yes No

13. Operation controlled from:
 Cab Pendant Remote

14. Load scale required? Yes No
 Describe requirements: _____

15. Options required: _____

Contact: _____

Company: _____

Address: _____

City, State, Zip: _____

Phone: _____

Fax: _____

Email: _____

