

Coil Lifters and Upenders

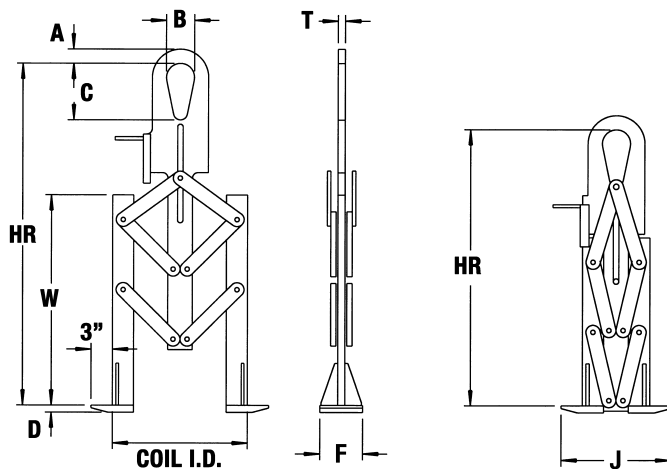
Model 83EW – Extended Width Vertical “Eye” Coil Lifter

PRODUCT FEATURES:

- Handles any size coil I.D. from 16" to 24".
- Lifter legs automatically adjust to coil I.D. being lifted.
- Has higher capacity range than standard lifter.
- Unique design minimizes dunnage required between coils.
- Complies with ASME standards.



QUICKSHIP PROGRAM



SPECIFICATIONS

Model Number	Capacity (tons)	Dimensions (inches)											Weight. (lbs.)	
		Coil I.D.		Coil Width	HR Headroom		Bail Dimensions			Foot Dimensions				
		Min.	Max.	W	Open	Closed	A	B	C	T	F	D		J
83EW-1/2-24	1/2	16	24	20	36	30-7/8	1-1/4	3	5	5/8	5	1/2	14-1/2	90
83EW-2 1/2-24	2-1/2	16	24	24	44	37-1/2	1-1/2	3	5	3/4	5	3/4	15-1/2	125
83EW-5-24	5	16	24	30	47	40-3/8	2	4	7	1	6	1	15-1/2	170
83EW-7 1/2-24	7-1/2	16	24	30	47	40-3/8	2	4	8	1	6	1	15-1/2	170

Other sizes available, consult factory.