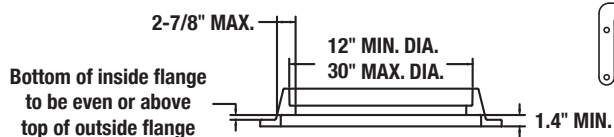


# Pipe & Manhole Handling

## Model MCL – Manhole Sleeve Lifter

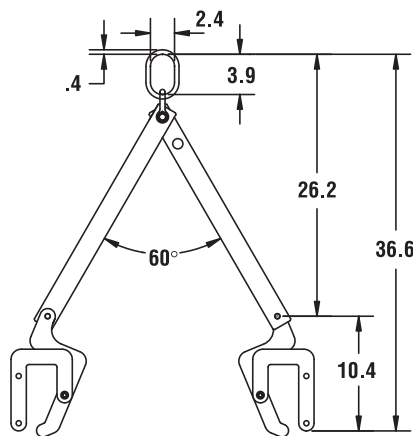


Sleeve Dimensions



### PRODUCT FEATURES:

- Quick and efficient way to place cast manhole sleeves.
- Easily attaches to and releases from the load.
- 2 or 3 leg models available.
- Complies with ASME standards.



NOTE: Dimensions shown in inches.

**INSTOCK PROGRAM**



3-Leg Model  
MCL-3/4

### SPECIFICATIONS

Model Number	Description	Capacity (lbs.)	Wt. (lbs.)
MCL-1/2	2-Leg Version	1000	24
MCL-3/4	3-Leg version: 2-18" Legs, 1-30" Leg With Shortener	1500	26
MCL-C	Clamp Only	500	6

NOTE: Flange diameter range 12" - 30".  
Not for straight walled lifts.  
Consult factory for other frame configurations.

## Model MML – Magnetic Manhole Lifter

Moving heavy manhole covers becomes a one-person operation, reducing the potential for injury on the job.

### PRODUCT FEATURES:

- Handle extended for additional leverage & breaks down for easy storage.
- Use for covers or grates.
- Features an adjustable 4-position safety latch hook and three handle angle positions making this dolly the most ergonomic on the market.



Model MML-26 or MML-35



Model MML-36

### SPECIFICATIONS - Steel Dolly\* w/ Standard Magnet

Model Number	Lid Size	Magnet Weight (lbs.)	Dolly Weight (lbs.)
MML-26-S	Up To 26" Diameter	22	46
MML-35-S	30" To 35" Diameter	53	46
MML-36-S	36" Diameter & Up	51	46

### SPECIFICATIONS- Aluminum Dolly\* w/ Lightweight Magnet

Model Number	Lid Size	Magnet Weight (lbs.)	Dolly Weight (lbs.)
MML-26-A	Up To 26" Diameter	18	29
MML-35-A	30" To 35" Diameter	34	29
MML-36-A	36" Diameter & Up	43	29

\* Wheel diameter on dolly is 6". Other sizes are available.