



CHAIN HOIST SPARE PARTS LIST

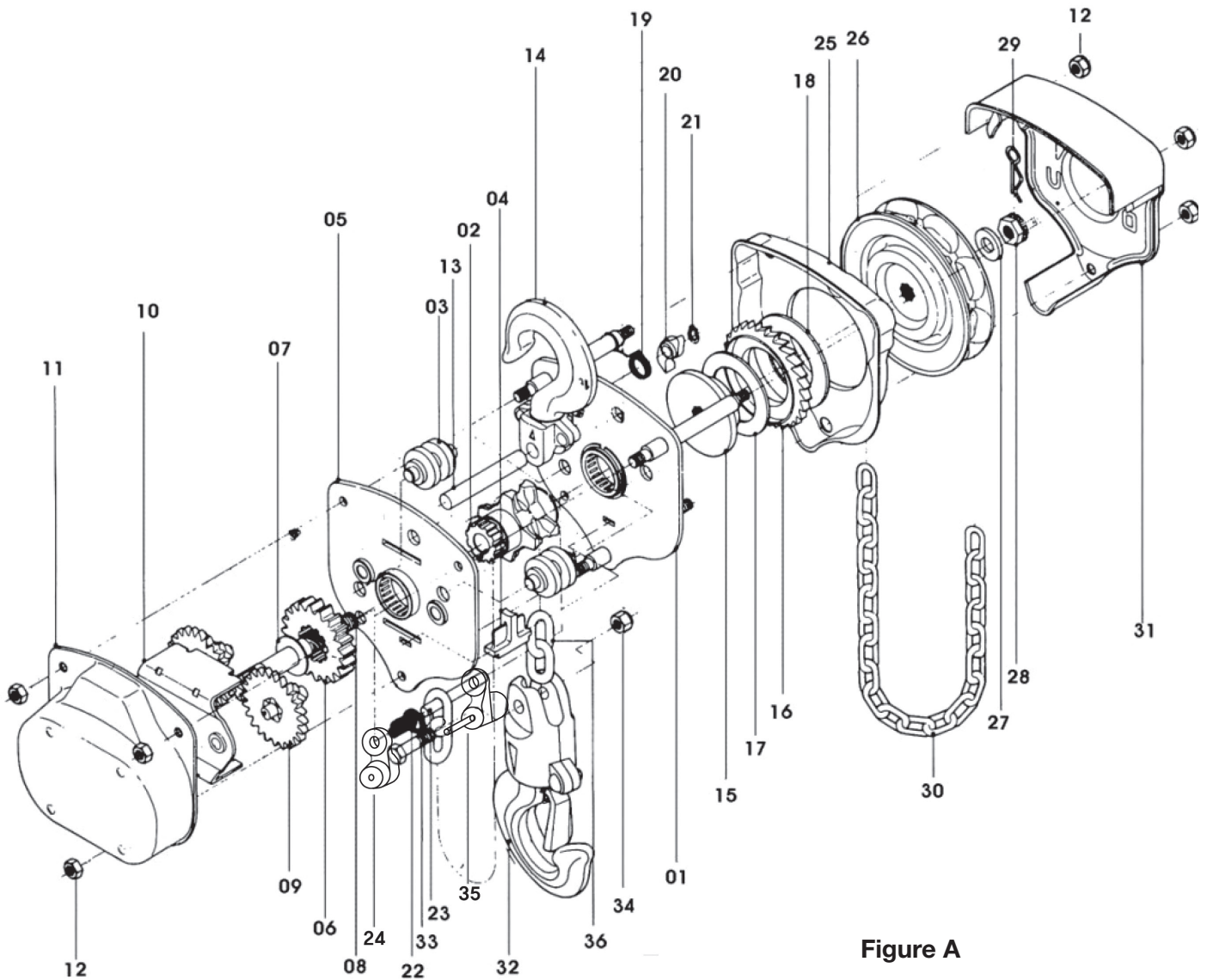


Figure A

Distributor Information:



Mississauga, ON
Tel.: 905-624-5131
Fax: 905-624-9265
e-mail: info@unirope.com

Edmonton, AB
Tel.: 780-644-9000
Fax: 780-644-9100
e-mail: alberta@unirope.com

Montreal, QC
Tel.: 514-339-5444
Fax: 514-339-5556
e-mail: quebec@unirope.com

Spare Parts List for Figure A

No	Description	Qty	No	Description	Qty
01	Side Plate I	1	21	Snap Ring	1
02	Load Sheave	1	22	End Spring	1
03	Chain Guide	2	23	End Anchor Pin	1
04	Chain Stripper	1	24	End Anchor A (b)	1
05	Side Plate II	1	25	Brake Cover	1
06	1st Gear	1	26	Hand Wheel	1
07	Pinion Washer	1	27	Wheel Washer	1
08	Pinion Shaft	1	28	Pinion Nut	1
09	2nd- 3rd Gear	2	29	Cotter Pin	1
10	Support Plate	1	30	Hand Chain	1
11	Gear Cover	1	31	Wheel Cover	1
12	U-Nut	6	32	Bottom Hook Assembly	1
13	Top Hook Pin	1	33 / 34	1 set Hook Bolt and U-Nut	1
14	Top Hook Assembly	1	35	End Anchor B (b)	1
15	Hub	1	36	Load Chain	1
16	Ratchet Gear	1	37	Warning Label (a)	1
17 / 18	1 set Disc A & Disc B	1	38	Safety Hook Latch	2
19	Pawl Spring	1	39	Top/Bottom Hook Sheave	1
20	Pawl	1	40	Capacity Label (b)	1

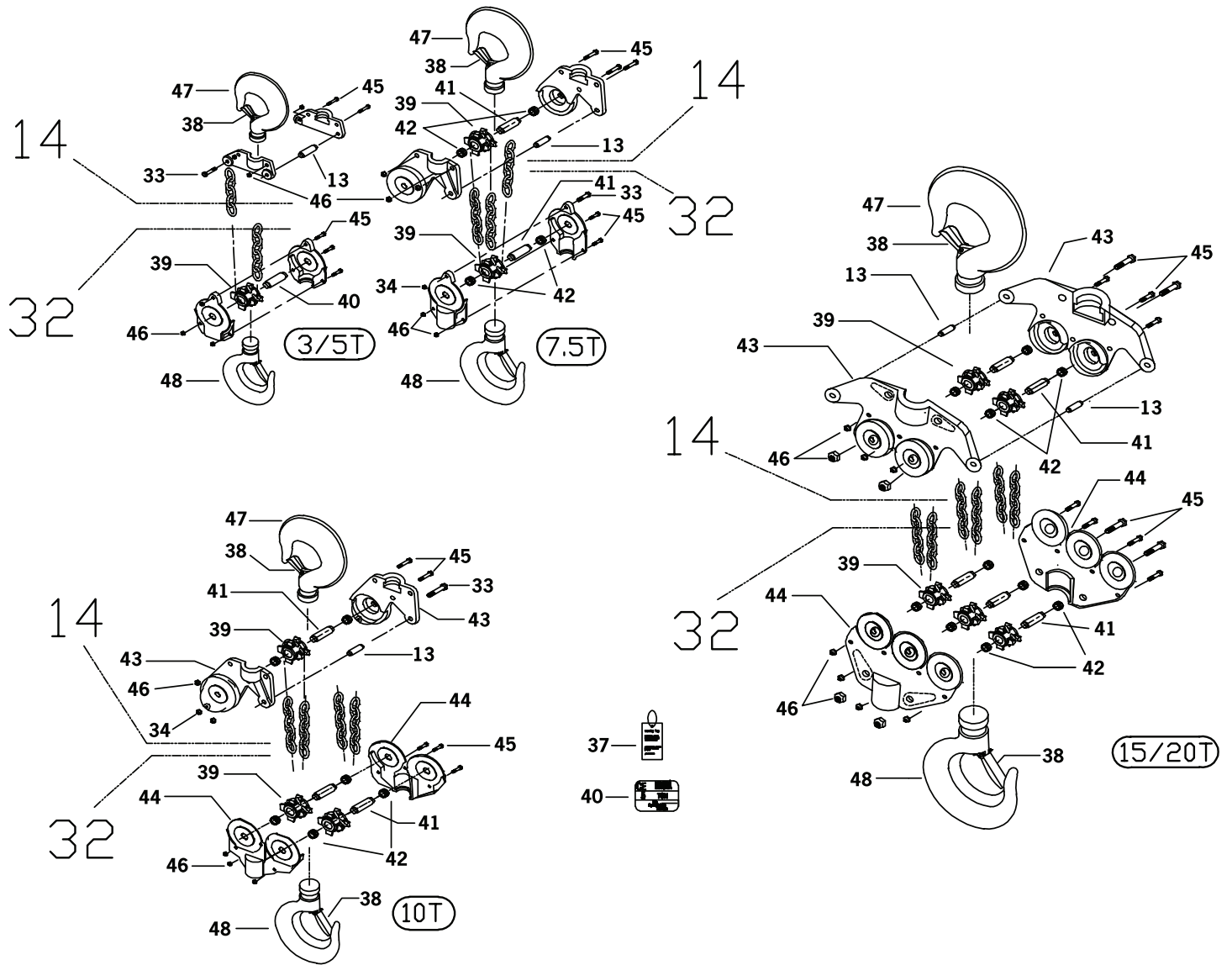
Note: (a) Not Shown. Attached to load block. Replace if missing or illegible. (b) Not Shown.

Spare Parts List for Figure B

No	Description	Capacity / Qty				
39	Top/Bottom Hook Sleeve	3/5t : 1	7.5t : 2	10t : 3	15t : 5	20t : 7
41	Axle	3/5t : 1	7.5t : 2	10t : 3	15t : 5	20t : 7
42	Bearing HK3020	—	7.5t : 4	10t : 6	15t : 10	20t : 14
43	Top Hook Holder	3/5t : 2	7.5t : 2	10t : 2	15t : 2	20t : 2
44	Bottom Hook Holder	3/5t : 2	7.5t : 2	10t : 2	15t : 2	20t : 2
45	Holder Bolt	3/5t : 5	7.5t : 4	10t : 5	15t : 11	20t : 13
46	Holder Nut	3/5t : 1	7.5t : 4	10t : 5	15t : 11	20t : 13
47	Top Hook	3/5t : 1	7.5t : 1	10t : 1	15t : 1	20t : 1
48	Bottom Hook	3/5t : 1	7.5t : 1	10t : 1	15t : 1	20t : 1

TO ORDER PARTS: Provide capacity, serial number, part number, part description, and quantity required.
Use only MAGNA® replacement parts.

Figure B



Distributor Information:



Mississauga, ON
 Tel.: 905-624-5131
 Fax: 905-624-9265
 e-mail: info@unirope.com

Edmonton, AB
 Tel.: 780-644-9000
 Fax: 780-644-9100
 e-mail: alberta@unirope.com

Montreal, QC
 Tel.: 514-339-5444
 Fax: 514-339-5556
 e-mail: quebec@unirope.com