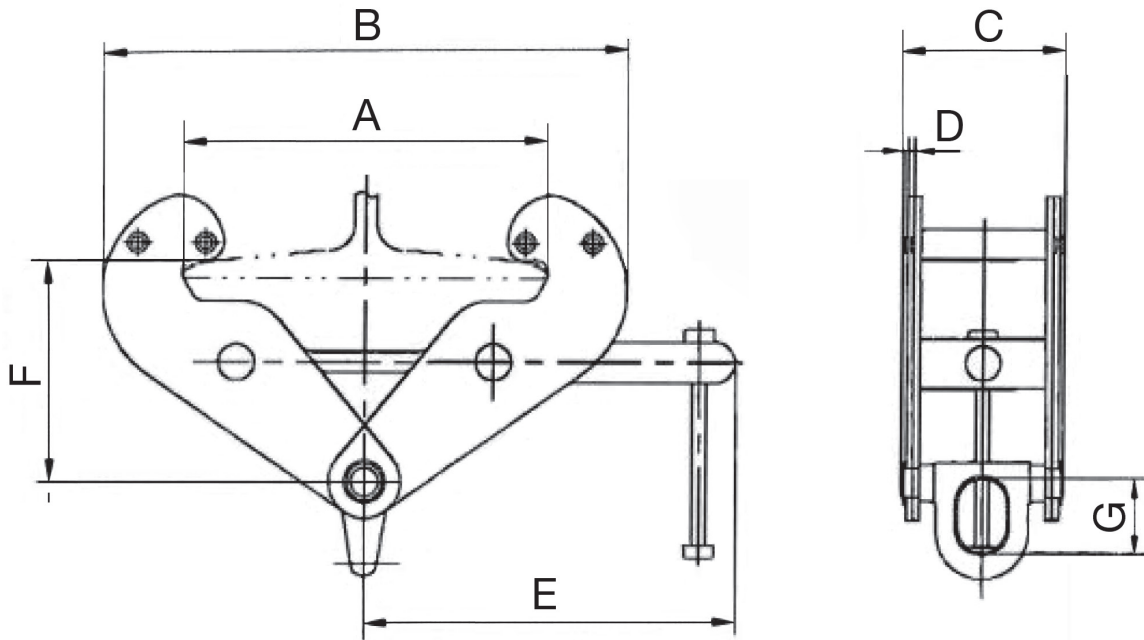




BEAM CLAMP ROUND-EYE TYPE

Specifications



Round Eye Type	MODEL	BC100RE	BC200RE	BC300RE	BC500RE	BC1000RE	
	RATED CAPACITY (LBS)	2,200	4,400	6,600	11,000	22,000	
	FITS FLANGE WIDTH (IN)	2.75 - 9.6	2.75 - 9.6	2.75 - 14	2.75 - 14	3.2 - 13.7	
INCHES	B	A max	10.5	10.5	14.25	14.25	14.25
		min	7.1	7.1	9.5	9.5	9.9
		max	14.75	14.75	20.5	20.5	20.5
	C	2.6	3	4	4.4	4.7	
	D	0.16	0.24	0.32	0.4	0.47	
	E	8.3	8.3	10.2	10.2	11.0	
	F	min	4	4	5.3	5.3	6.3
		max	6.5	6.5	8.9	8.9	9
	G	1.77	1.77	2.28	2.28	3.54	
	H	0.78	0.78	0.9	0.9	1.18	
	NET WEIGHT (LBS)	9	11	22	26	37	