

# Clamps, Grabs & Tongs

## Model BC – Beam Clamp



### PRODUCT FEATURES:

- Rated load capacity of one ton.
- Economical and convenient.
- Lightweight and portable design, high strength construction.
- Use only for vertical lifting.
- Complies with ASME standards.

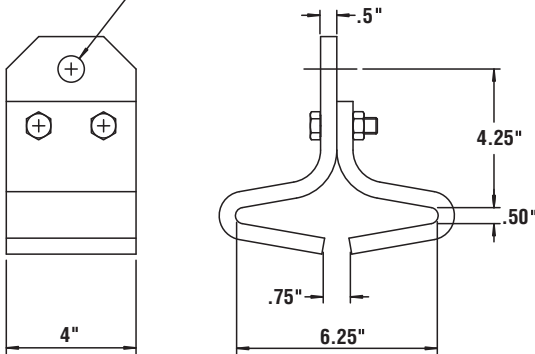


### SPECIFICATIONS

Model Number	Rated Capacity (tons)	Flange		Weight (lbs.)
		Min. (in.)	Max. (in.)	
55 - 1	1	4	6	10

Shackle not included (13/16" dia. hole for up to 3-1/4 ton shackle).

13/16" DIA.  
FOR UP TO 3-1/4 TON SHACKLE



For lifting and positioning structural beams. Can be used in pairs in conjunction with a spreader beam for additional versatility.



Allows for the capability of hanging hoists or rigging from an overhead load bearing structure.

## Model BT – Beam Tongs



### PRODUCT FEATURES:

- Tong provided with lifting shackle.
- Load must be balanced and controlled when lifting.
- Use only for vertical lifting.
- For added stability when handling longer loads, use in pairs with a spreader beam.
- Complies with ASME standards.



### SPECIFICATIONS

Model Number	Rated Capacity (tons)	Dimensions (inches)			Weight (lbs.)
		Beam Width Min. - Max.	Max. Flange Thickness	Head Room	
111 - 1	1	5 - 6	5/8	17	15
111 - 2	2	6.50 - 8	3/4	19	18
111 - 3	3	7.50 - 10	3/4	19	21

